

NTAE-3000 SERIES 3000 WATT SINGLE OUTPUT PROGRAMMABLE SWITCHING POWER SUPPLIES 13.5" x 8.0" x 5.0" UNIVERSAL AC INPUT, RS232 CONTROL

APPLICATIONS

The NTAE-3000 Series of Precision Programmable Switching Power Supplies provides up to 3000 Watts of output power. Output Voltage and Current are adjustable from 0 to 105% making this Programmable Switching Power Supply ideal for Industrial, Laboratory, Military and Battery Charging applications. Available in stand alone or Rack Mount versions. Easily customized or modified to fit your exact needs. Capable of parallel or series connection and active current sharing.

STANDARD FEATURES

- Universal AC input / Active PFC
- Programmable output Voltage (0% ~ 105%)
- Programmable output Current (0% ~ 105%)
- Forced Current Sharing in Parallel
- Constant Current Limit
- Selectable +5V / 0.5A or +9V / 0.3A aux. O/P
- Global Control Via RS232
- Power OK Signal
- Remote ON/OFF, Remote Sense Function
- Protection: OVP, OLP, OTP, SCP, Fan Failure
- Parallel and Series Operation

AVAILABLE OPTIONS

- Redundant Operation
- Rack / Panel Mount
- Ruggedized for Shock & Vibration
- 400Hz Operation
- Conformal Coating

SAFETY AND EMISSIONS

- Meets UL/cUL60950-1; EN 60950-1
- Meets EN55022; EN61204-3; EN6
- Meets EN61000-3-2; EN61000-3-3
- Meets EN55024; EN61204-3
- Meets EN61000-6-1
IEC 61000-4-2, 3, 4, 5, 6, 8, 11;



SPECIFICATIONS

ELECTRICAL

Input: AC Input Range 90-264VAC Single Phase
Load: 50% Load @ 90 VAC, 65% @ 115 VAC, 100% @ 180-264 VAC
Power Factor: 0.95 / 230VAC, 0.98 / 115VAC (Full Load)
Input Frequency: 47-63Hz 400 Hz Optional
Inrush Current: 33A / 115VAC, 65 A / 230 VAC
Input Current: 20A / 115VAC, 15A / 230VAC
Efficiency: 88-93% typical (depending on output model)
Hold-up time: 14ms at full load (minimum)
Leakage Current: <1.0 mA maximum @ 240 VAC - UL Compliant
Minimum Load: none
Regulation: Line $\pm 1\%$ Load $\pm 1\%$
Ripple/Noise: 150 mV peak to peak maximum (20 MHz)
Overcurrent Protection: 105% of rated output power constant current limit.
Overvoltage Protection: 120% Vout
Overtemperature Protection: Heatsink Temp 85°C \pm 5°C Auto Recovery
MTBF: 35,000 hours

MECHANICAL

Size: 13.5"L x 8.0"W x 5.0"H
Weight: Approx.: 10 lbs
Cooling: Internal ball bearing DC fan
Operating Temperature: - 20°C to + 50°C. (Full Output Power)
Storage Temperature: -40°C to + 85°C max
Humidity: 20-90% RH non condensing
Vibration: 10 - 500Hz, 2G 10 min / 1 cycle for 60 min (3 axes)
Shock: 20 G Half Sine 11 mS

MODEL SELECTION

MODEL NUMBER	VOLTAGE	CURRENT
NTAE-3000-12	12V	0 - 200A
NTAE-3000-15	15V	0 - 160A
NTAE-3000-24	24V	0 - 125A
NTAE-3000-28	28V	0 - 100A

MODEL NUMBER	VOLTAGE	CURRENT
NTAE-3000-36	36V	0 - 83A
NTAE-3000-48	48V	0 - 62A
NTAE-3000-60	60V	0 - 50A

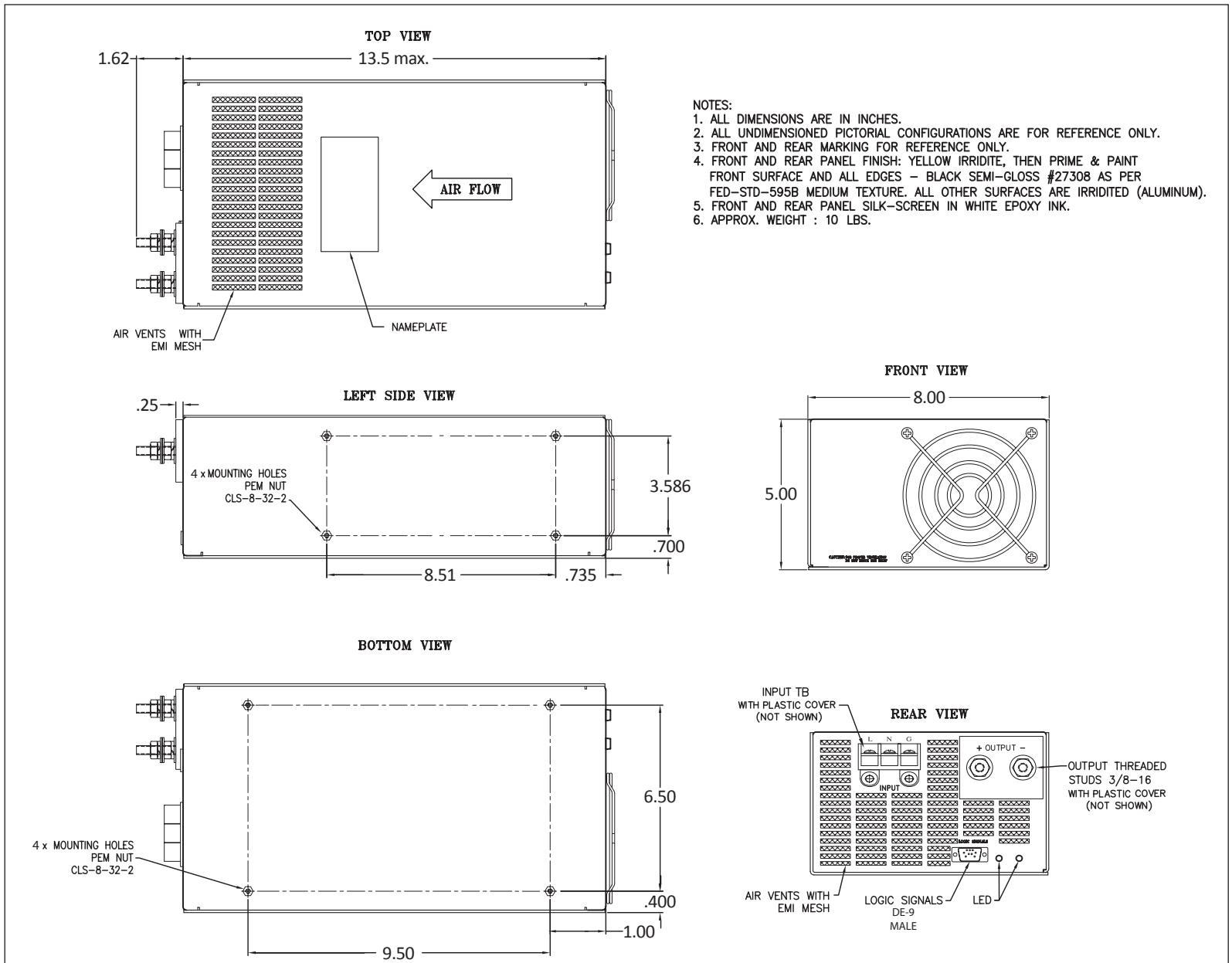
NOTE: OTHER VOLTAGES & CURRENTS AVAILABLE. CONSULT THE FACTORY.

OPTION DESIGNATIONS

- ORD	Redundant Operation
- CC	Conformal Coating
- MIL	Ruggedized/Militarized

- PNL	Panel Mount
- RK	Rack Mount
- 400Hz	400 Hz Operation

MECHANICAL OUTLINE



Rev. -

SPECIFICATIONS ARE SUBJECT TO CHANGE WITHOUT NOTICE

TECHNOLOGY DYNAMICS INC.
 100 School Street, Bergenfield, NJ 07621
 Phone: (201) 385-0500, Fax: (201) 385-0702
www.technologydynamicsinc.com