

MODEL SELECTION

Single/Main Output

OUTPUT	MAX LOAD	MODEL NO.
5	60	TDL-5-60
12	50	TDL-12-50
24	42	TDL-24-42
28	36	TDL-28-36
48	22	TDL-48-22

OPTION DESIGNATIONS

suffix code

REDUNDANT OPERATION	-ORD
WIDE TEMP OPERATION	-WTO
FORCED CURRENT SHARING	-FCS
RUGGEDIZED/MILITARIZED	-MIL

TDLDC SERIES: Multiple Output Selection Guide

- Select main output from table above.
- Select second, third, fourth, fifth or sixth outputs from the tables below.
- Second and third outputs must be equal in voltage and share common ground.
- Output four, five and six are floating and may be used as positive or negative.

Example: P/N TDL 5-60 A2B2C1D1E2 -suffix
+5V 60A, -12V 3A, +12V 3A, +5V 3A, 5V 10A, 12V 8A

Input Voltage

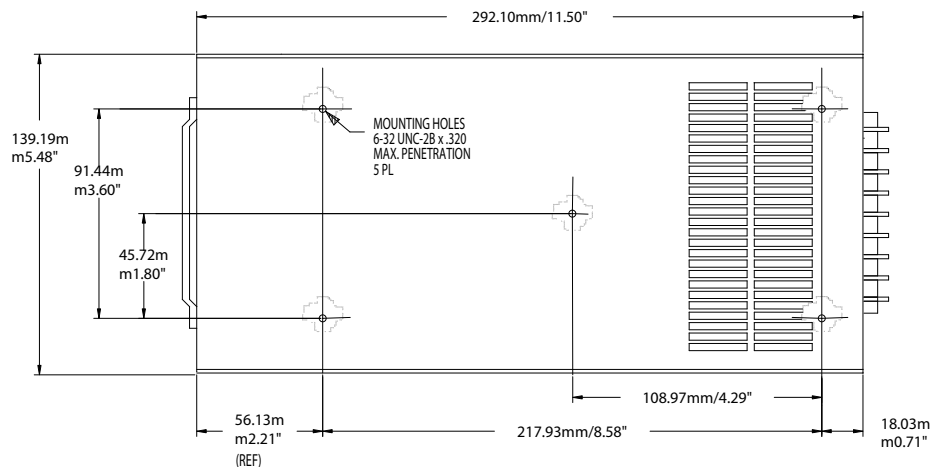
INPUT	RANGE	PREFIX CODE
28V	22-32V	P
48V	42-56V	Q
Other	Consult Factory	X

MULTIPLE OUTPUT

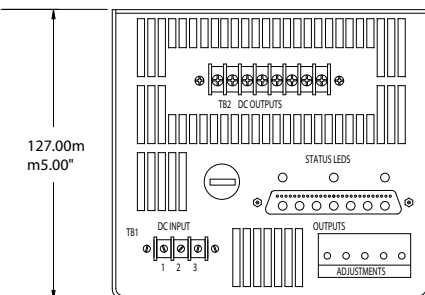
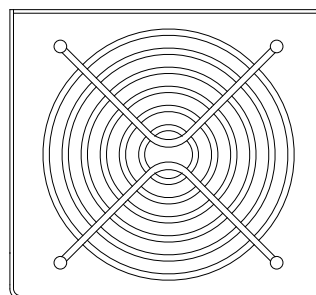
OUTPUT #2(-V2)		OUTPUT #3(+V3)		OUTPUT #4 (V4)		OUTPUT #5(V5)		OUTPUT #6(V6)	
VDC @ MAX AMP	CODE	VDC @ MAX AMP	CODE	VDC @ MAX AMP	CODE	VDC @ MAX AMP	CODE	VDC @ MAX AMP	CODE
-5V @ 3A	A1	+5V @ 5A	B1	5V @ 3A	C1	5V @ 10A	D1	5V @ 10A	E1
-12V @ 3A	A2	+12V @ 5A	B2	12V @ 3A	C2	12V @ 8A	D2	12V @ 8A	E2
-15V @ 3A	A3	+15V @ 4A	B3	15V @ 3A	C3	15V @ 7A	D3	15V @ 7A	E3
-24V @ 3A	A4	+24V @ 3A	B4	24V @ 2A	C4	24V @ 4.5A	D4	24V @ 4.5A	E4

Other voltages and currents available. Contact the factory. Maximum total output power cannot exceed 1000 watts. Maximum current per output cannot be exceeded

MECHANICAL OUTLINE



J1 OUTPUT CONNECTOR	
ITT CANNON COMBO D SUB P/N DDM224H7PNK87	
NOTE:	MATES WITH SUB D CANNON FEMALE PINS, D SHELL, 24W7 CONTACT ARRANGEMENT



SPECIFICATIONS ARE SUBJECT TO CHANGE WITHOUT NOTICE

Fax on Demand 1-800-548-2183



ISO9002
A5269

APPLIED POWER CONVERSION
division of

TECHNOLOGY DYNAMICS INC.

100 School Street, Bergenfield, NJ 07621
Phone (201) 385-0500 Fax (201) 385-0702
Internet: www.technologydynamicsinc.com