

MODEL SELECTION

Single/Main Output

OUTPUT	MAX LOAD	MODEL NO.
5	60	TDL-5-60
12	50	TDL-12-50
24	42	TDL-24-42
28	36	TDL-28-36
48	22	TDL-48-22

OPTION DESIGNATIONS

suffix code

REDUNANT OPERATION	-ORD
WIDE TEMP OPERATION	-WTO
AUTO LINE SELECT	-ALS
FORCED CURRENT SHARING	-FCS
REUGGEDIZED/MILITARIZED	-MIL
BATTERY BACK-UP (MAIN OUTPUT ONLY)	-LVBD
BATTERY BACK-UP ALL OUTPUTS	-UPS

TDL SERIES: Multiple Output Selection Guide

- Select main output from table above.
- Select second, third, fourth, fifth or sixth outputs from the tables below.
- Second and third outputs must be equal in votage and share common ground.
- Output four, five and six are floating and may be used as positive or negative.

Example: P/N TDL 5-60 A2B2C1D1E2 -suffix
+5V 60A, -12V 3A, +12V 3A, +5V 3A, 5V 10A, 12V 8A

Low Voltage Battery Disconnect

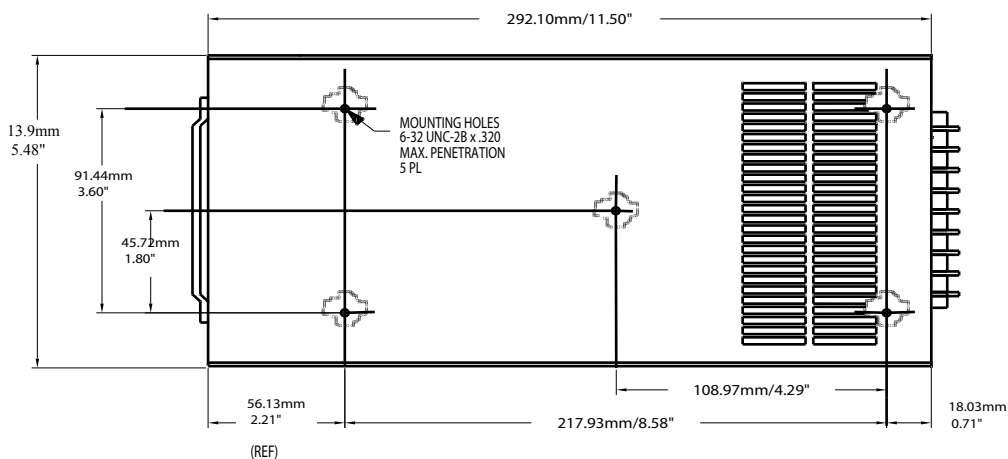
The LVBD module adds a new dimension to battery backup power supplies. The power supply simultaneously charges the battery and powers the load. If the AC power fails, the battery continues to support the load. However, when the battery voltage drops below a predetermined level, the LVBD module disconnects the battery from the load, thereby protecting the battery from the damaging effects of complete discharge.

MULTIPLE OUTPUT

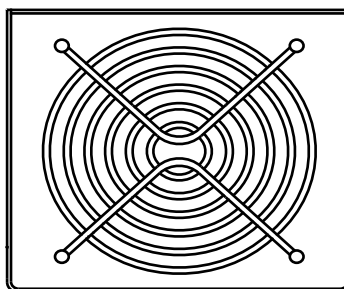
OUTPUT #2(-V2)		OUTPUT #3(+V3)		OUTPUT#4 (V4)		OUTPUT #5(V5)		OUTPUT #6(V6)	
VDC @ MAX AMP	CODE	VDC @ MAX AMP	CODE	VDC @ MAX AMP	CODE	VDC @ MAX AMP	CODE	VDC @ MAX AMP	CODE
-5V @ 3A	A1	+5V @ 5A	B1	5V @ 3A	C1	5V @ 10A	D1	5V @ 10A	E1
-12V @ 3A	A2	+12V @ 5A	B2	12V @ 3A	C2	12V @ 8A	D2	12V @ 8A	E2
-15V @ 3A	A3	+15V @ 4A	B3	15V @ 3A	C3	15V @ 7A	D3	15V @ 7A	E3
-24V @ 3A	A4	+24V @ 3A	B4	24V @ 2A	C4	24V @ 4.5A	D4	24V @ 4.5A	E4

Other voltages and currents available. Contact the factory. Maximum total output power cannot exceed 1000 watts. Maximum current per output cannot be exceeded

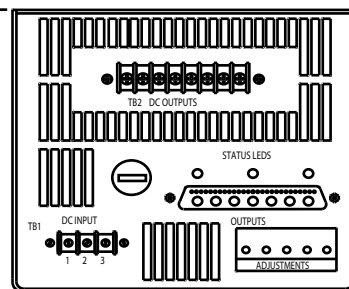
MECHANICAL OUTLINE



J1 OUTPUT CONNECTOR
ITT CANNON COMBO D SUB P/N DDM224H7PNK87
NOTE: MATES WITH SUB D CANNON FEMALE PINS, D SHELL, 24W7 CONTACT ARRANGEMENT



REAR



FRONT

SPECIFICATIONS ARE SUBJECT TO CHANGE WITHOUT NOTICE

Fax on Demand 1-800-548-2183



ISO9002
A5269

APPLIED POWER CONVERSION
division of

TECHNOLOGY DYNAMICS INC.

100 School Street, Bergenfield, NJ 07621
Phone (201) 385-0500 FAX (201) 385-0702
Internet: www.technologydynamicsinc.com